

**MICRO SWITCH**  
 FREEPORT, ILLINOIS, U.S.A.  
 A DIVISION OF HONEYWELL  
 FED. MFG. CODE 91929

**SWITCH-ENCLOSED**

CATALOG LISTING  
**BZE6-2RQ8**

**M BZE6-2RQ8**

DRAWING NUMBER

ISSUE

11

PSR

29AUG07

CHECK

REVISIONS

A

CO-38200

30 AUG 77

B

CO5391F

13 APR 84

C

CO55989

6 NOV 84

D

CO54958

26 FEB 85

E

CO72618

11 SEP 92

F

0016894

10 NOV 05

G

0033014

29AUG07

REPLACES

29AUG07

PSR

CHECK

ROB

CHECK

ROB

CHECK

ROB

CHECK

ROB

CHECK

ROB

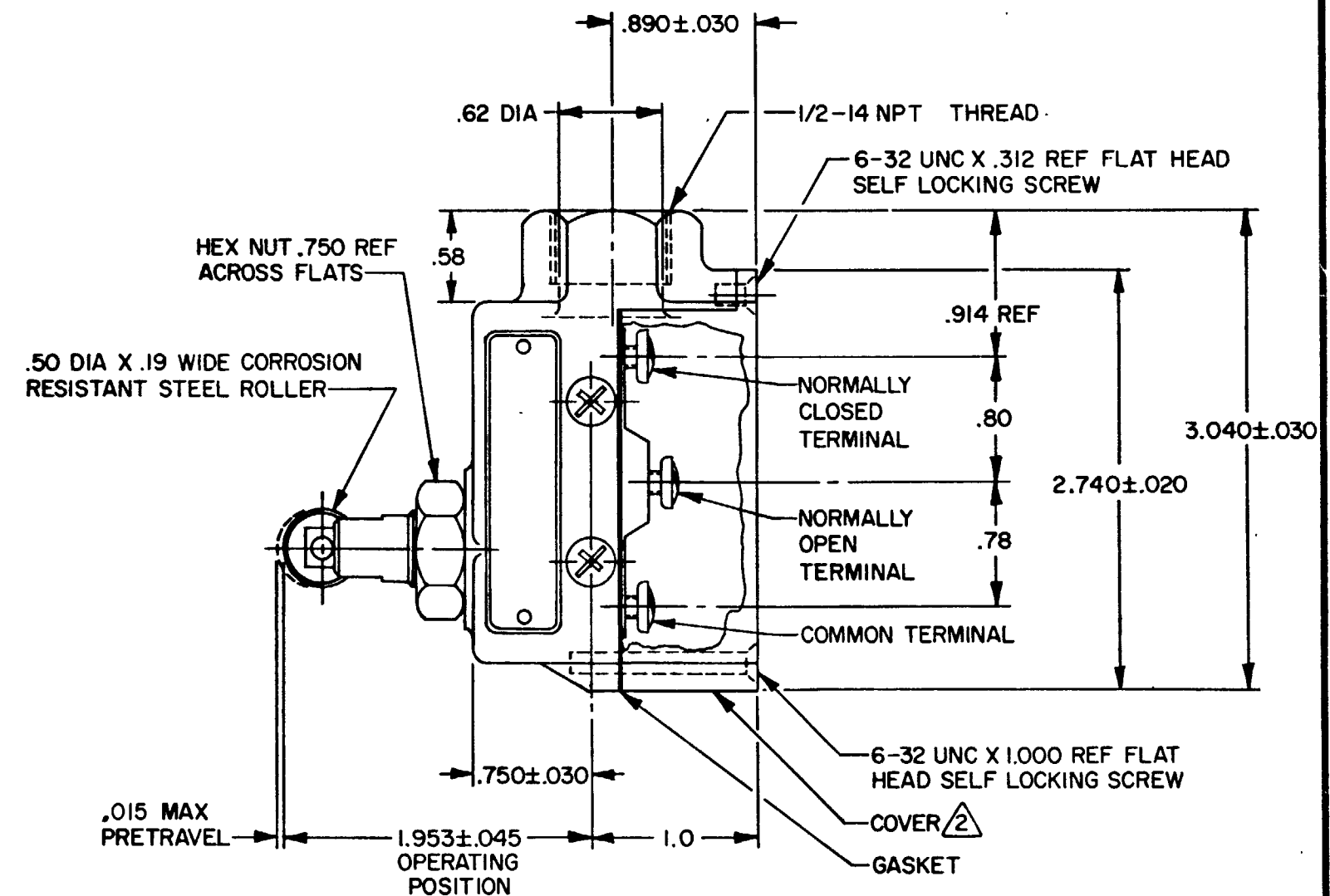
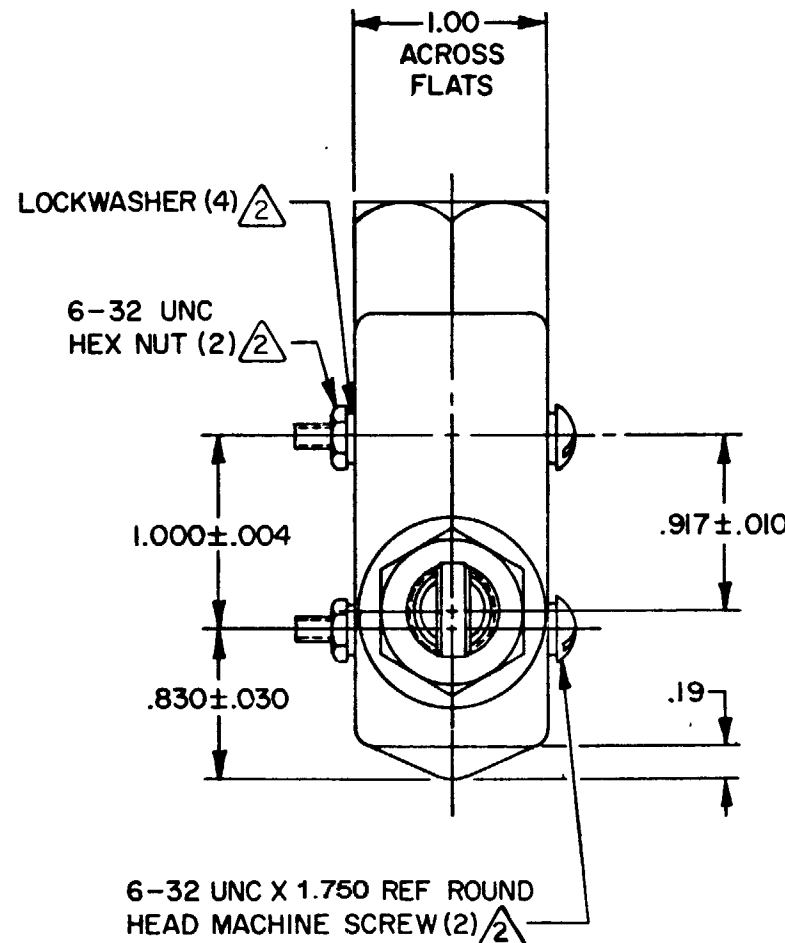
CHECK

ROB

CHECK

ROB

CHECK



**NOTES-**

- 1 - 6-32 UNC X .219 REF BINDING HEAD TERMINAL SCREW AND CUPWASHER (3)
- 2 - FURNISHED UNASSEMBLED
- 3 - SEAL RATING: NEMA1 IP40

THIS DRAWING COVERS A PROPRIETARY ITEM AND IS THE PROPERTY OF MICRO SWITCH, A DIVISION OF HONEYWELL. THIS DRAWING IS NOT TO BE COPIED OR USED WITHOUT THE APPROVAL OF MICRO SWITCH.

CHARACTERISTICS	ELECTRICAL DATA	SCALE FULL
OPERATING FORCE ----- 9-13 OZ	CONTACT ARRANGEMENT <b>S P D T</b>	DO NOT SCALE PRINT
RELEASE FORCE ----- 4 OZ MIN	15A-125, 250 OR 480 VAC, 2A-600 VAC 1/8 HP-125 VAC; 1/4 HP-250 VAC 1/2A-125 VDC; 1/4A-250 VDC CODE L74	UNLESS OTHERWISE NOTED DIMENSIONS ARE IN INCHES
DIFFERENTIAL TRAVEL ----- .002 MAX	CE 1.5A, 240 Vac	<b>TOLERANCES ARE:</b>
OVERTRAVEL ----- .140 MIN		ONE PLACE (.0)
BASIC SWITCH REPLACEMENT ----- BZ-2RQ784		TWO PLACE (.00)
		THREE PLACE (.000)
		ANGLES
		WEIGHT .56 LB

RASTER  
 FO-82881-A

DRAWN

30 AUG 77

S L B